



**Glen  
Dimplex**  
Thermal  
Solutions

**Koolant  
Koolers**

# Manual Switch-Over Panel

## Operating Manual



## Contents

1 For Your Safety.....	1
2 Installation.....	2
3 Maintenance .....	3
4 Revision .....	4
Appendix A Layout .....	5
Appendix B Mechanical.....	6
Appendix C Table of Contents.....	7

## List of Figures

Figure 1: Piping Connections.....	2
Figure 2: System Diagram .....	3

## Tables

Table 1: Revisions .....	4
--------------------------	---

## 1 For Your Safety

### Signs and Symbols

Throughout the operating manual, the information and notices below are identified by graphical symbols.



#### **DANGER!**

Safety note indicating imminent danger. Failure to heed the warning may result in serious bodily injury and even death.



#### **CAUTION!**

Safety note indicating the presence of potential hazard. Failure to heed the safety notice may result in minor bodily injury or damage to the equipment.



#### **INFORMATION!**

This symbol identifies important information or a useful tip concerning the application or service of the unit.

### Safety Notes

For the installation and operation of the Manual Switch-Over Panel, the following regulations and safety notes must be observed.



Any work on the Manual Switch-Over Panel, may only be performed by qualified personnel. All relevant accident prevention regulations have to be observed.



Any national regulations applicable in the country of installation must be observed.

## 2 Installation

1. The Manual Switch-Over Panel consists of valves to manually switch cooling fluid source from the Chiller System to an alternate cooling fluid supply. The alternate cooling fluid supply is typically city water but may also be derived from the building central chiller water supply.



### CAUTION!

Make sure all piping is clean before installation.

2. The Manual Switch-Over Panel is designed to be installed indoors only. The Manual Switch-Over Panel must be installed in the piping connecting the Chiller System, alternate cooling fluid supply and the main process. The connections on the Manual Switch-Over Panel are shown in Figure 1.

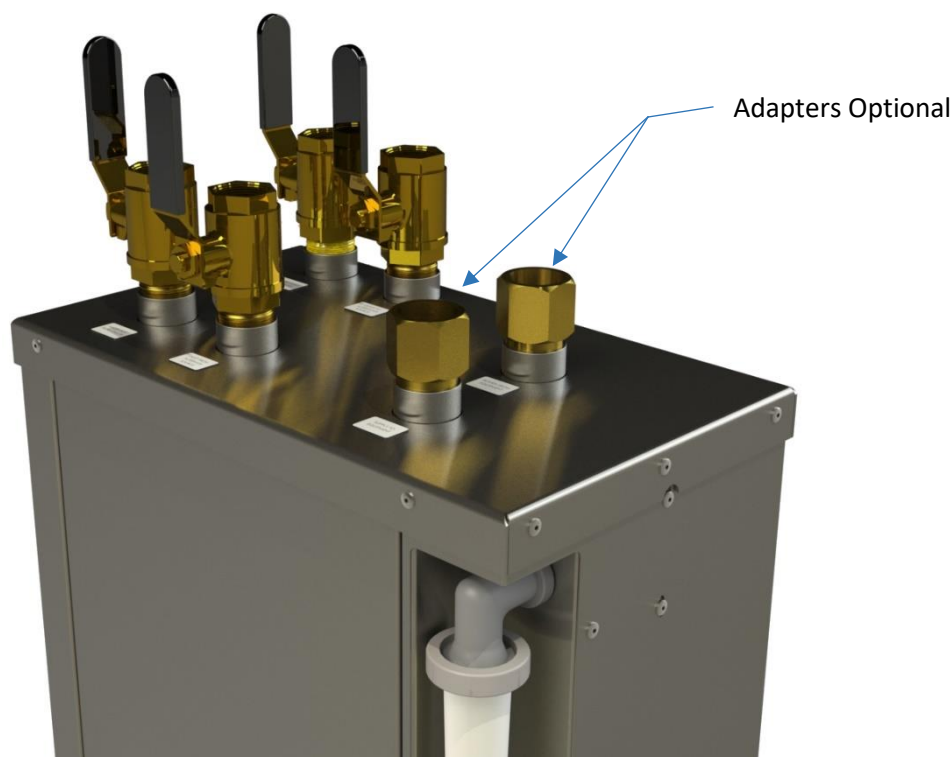


Figure 1: Piping Connections

3. Install the proper size piping between the Manual Switch-Over Panel and the Chiller System, Alternate Cooling Fluid Supply and the main process. Install a 50 micron strainer or filter between the Alternate Cooling Fluid Supply and the Manual Switch-Over Panel. (Refer to Figure 2 for system diagram).
4. Fluid supply pressure gages, temperature gages and a flow rate meter are included in the panel. Refer to the requirements of the process to determine the minimum required flow rate. Adjust the flow switch setting based on the proper flow rate.

### MANUAL SWITCH-OVER PANEL SYSTEM DIAGRAM

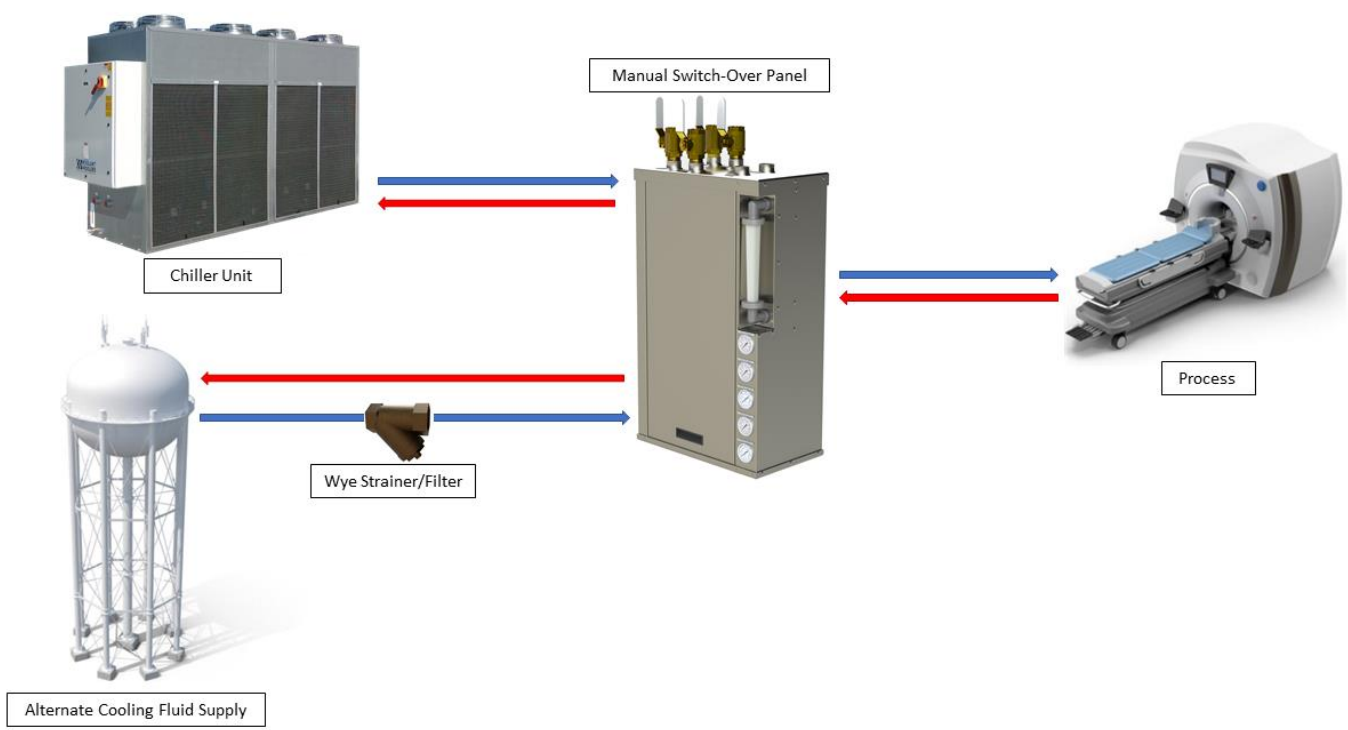


Figure 2: System Diagram

### 3 Maintenance

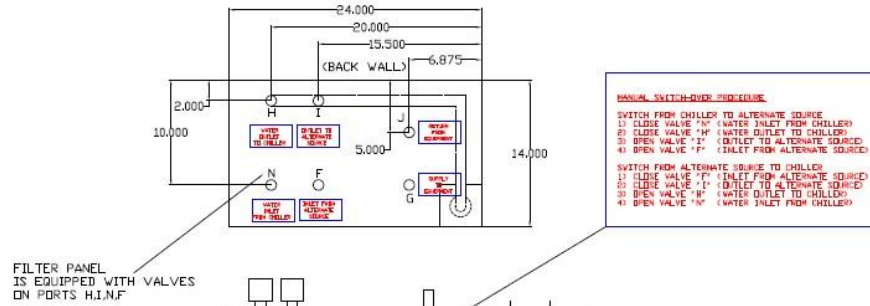


Clean the fluid strainer and/or filter one hour after initial use then annually or as required.

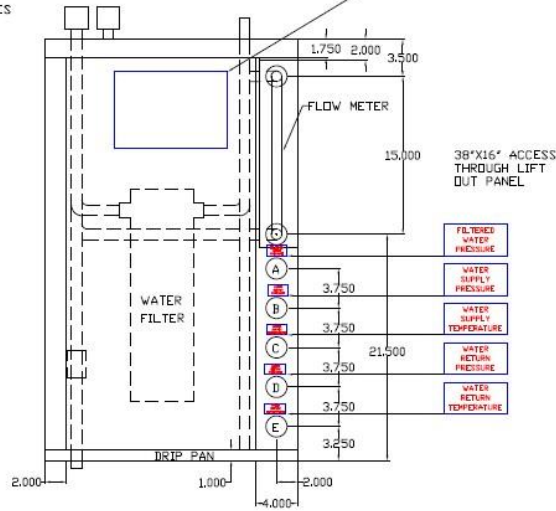
## 4 Revision

**Table 1: Revisions**

Rev	Description	By	Date
A	Copied information from legacy manual and created new document number.	S. Kadosh	4/29/2020
B			



FILTER PANEL IS EQUIPPED WITH VALVES ON PORTS H,I,N,F

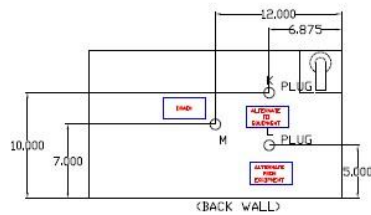


**NOTES:**

ALL INTERNAL PIPING MUST BE INSULATED TO HELP PREVENT CONDENSATION.

GAUGE TAGS MUST BE PLACED AS NOTED.

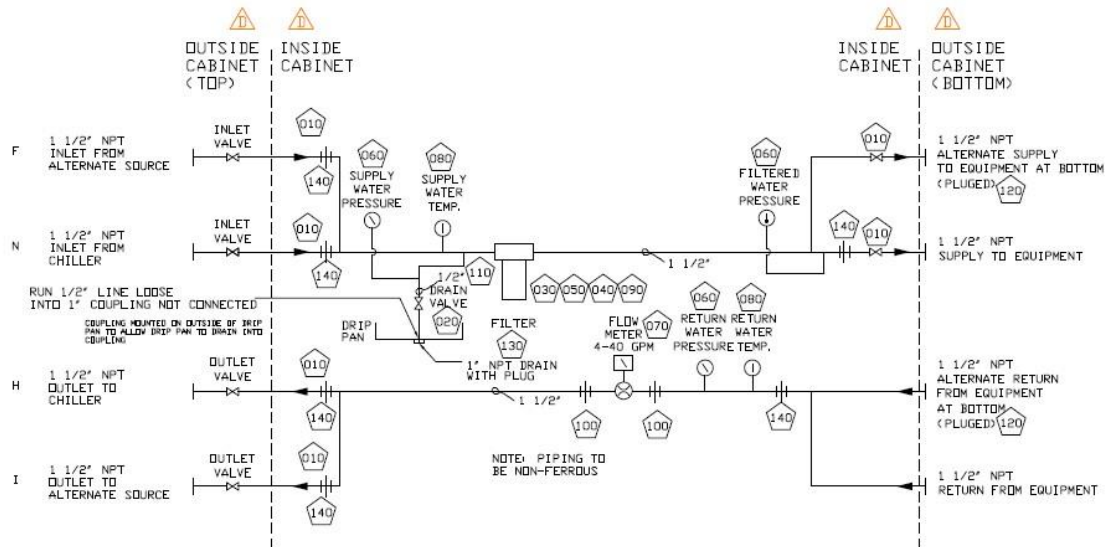
- A) FILTERED WATER PRESSURE
- B) WATER SUPPLY PRESSURE
- C) WATER SUPPLY TEMPERATURE
- D) WATER RETURN PRESSURE
- E) WATER RETURN TEMPERATURE
- F) 1 1/2" NPT INLET FROM ALTERNATE WATER SOURCE
- G) 1 1/2" SUPPLY TO EQUIPMENT
- H) 1 1/2" NPT OUTLET WATER TO CHILLER
- I) 1 1/2" NPT OUTLET TO ALTERNATE SOURCE
- J) 1 1/2" RETURN FROM EQUIPMENT
- K) 1 1/2" ALTERNATE TO EQUIPMENT (PLUGGED)
- L) 1 1/2" ALTERNATE FROM EQUIPMENT (PLUGGED)
- M) 1" NPT DRAIN
- N) 1 1/2" NPT WATER INLET FROM CHILLER



ALL DIMENSIONS ARE IN INCHES			
THIS PRINT CONTAINS INFORMATION PROPRIETARY TO DIMPLEX THERMAL SOLUTIONS AND MAY NOT BE REPRODUCED, REPRODUCED, OR SHARED IN ANY WAY WITHOUT THE EXPRESSED WRITTEN CONSENT OF DIMPLEX THERMAL SOLUTIONS.		CHILLED WATER SUPPLY INTERFACE PANEL LAYOUT	
CONFIDENTIAL AND PROPRIETARY	DATE	DESCRIPTION OF REVISION	APPROVED BY



Appendix B Mechanical



NOTE:  
 1) PLUG TO BE INSTALLED IN BOTTOM PORTS.  
 2) POSITION VALVE HANDLES SO THAT THE HANDLES ARE ACCESSIBLE FROM THE FRONT AND ARE FREE TO MOVE.  
 3) ALL PIPING AND FITTINGS INCLUDING HOSE IS TO BE INSULATED WITH FOAM TAPE ONLY  
 4) AFTER TESTING REMOVE FLOW METER (LEAVE ELBOWS) AND PLACE IN ORIGINAL BOX FOR SHIPMENT.

NO	DESCRIPTION	PARTS	QTY	TYPE
010	CHILLED WATER INTERFACE PANEL	751084	1	PC
010	VALVE BALL BRASS 1-1/2"	4113100	6	ASST
020	VALVE BALL BRASS 1/2"	4113001	1	PC
030	NOISE FILTER 1-1/2" DIA BLUE X 20"	4330006	1	PC
040	MO-BR FILTER CARTRIDGE 30 MICRON	4331001	2	PC
050	1/2" WRENCH TIGHTENING PISTONS	4331009	1	PC
060	GASKET FLANGE 1/2" X 1/2" 303/304 BAR	4843100	3	PC
070	F-451003LINE FLOW METER 4-40 GPM	4890030	1	PC
080	WSS-4914-100 THERMOWATER GAUGE	4800109	2	PC
090	CARBONIX COUPLER FOR 800 FILTER	4331013	1	PC
100	UNION 1 PPT BR	7508400	2	PC
110	A-4780 UNDERGIRD 1/2" FL X 1/2" WPT	7640400	1	PC
120	PLUG 1-1/2" WPT BR	7512900	2	PC
130	PLUG 1/2" WPT BR	7508900	1	PC
140	UNION 1/2" PPT BR	7512400	1	PC
150	A-2017 NUT SHORT FORGED 3/8" FL	7650200	1	PC
160	A-2051 NUT SHORT FORGED 1/4" FL	7610200	1	PC
180	DIAPHR 1-1/2" WPT X 1/2" BR	7510006	1	PC
190	HOSE 1-1/2" RED 250 PSI	4410004	8	FT

\* PARTS NOT SHOWN ON DRAWING DETAIL

ALL DIMENSIONS ARE IN INCHES

THIS PRINT CONTAINS INFORMATION PROPRIETARY TO DIMPLEX THERMAL SOLUTIONS AND MAY NOT BE REPRODUCED, REPRODUCED, OR SHARED IN ANY WAY WITHOUT THE EXPRESSED WRITTEN CONSENT OF DIMPLEX THERMAL SOLUTIONS.

CONFIDENTIAL AND PROPRIETARY

02/13/17	UNION SIZE/SENSEORS LOC	DKC/J 27380
04/24/18	10ANDED 4-4540 CONN/CON	AMC/L 07360
04/03/18	REMOVED HOSE/BRASS (7512901)	JP/R 04150
02/28/18	UPDATED TITLE BLOCK	TRM/G
02/19/18	ADD SHIP LOOSE NOTE	JEV/F
02/05/18	ADDED INSIDE/OUTSIDE	AMC/E
02/06/05	ADDED NOTE	BRX/CO
02/04/03	FLOW METER WAS F-451003LINE	BRX/CO
02/24/01	FREE FILTER DRAWING	BRX/CO
02/24/01	ADDED NOTE TH 2 HOSE CLAMPS	BRX/CO
DATE	DESCRIPTION OF REVISIONS	APPROVED BY

DESIGN BY: DRAWN BY: BRIAN  
 DATE: 02/23/01 PAGE 1 OF 1

**Dimplex Thermal Solutions**

CHILLED WATER INTERFACE PANEL  
 MECHANICAL

DRAWING NO. 201834







Service and Parts:

[partsdept@dimplexthermal.com](mailto:partsdept@dimplexthermal.com)

Technical Support:

[serviceteam@dimplexthermal.com](mailto:serviceteam@dimplexthermal.com)

Sales Department:

[salesdept@dimplexthermal.com](mailto:salesdept@dimplexthermal.com)

