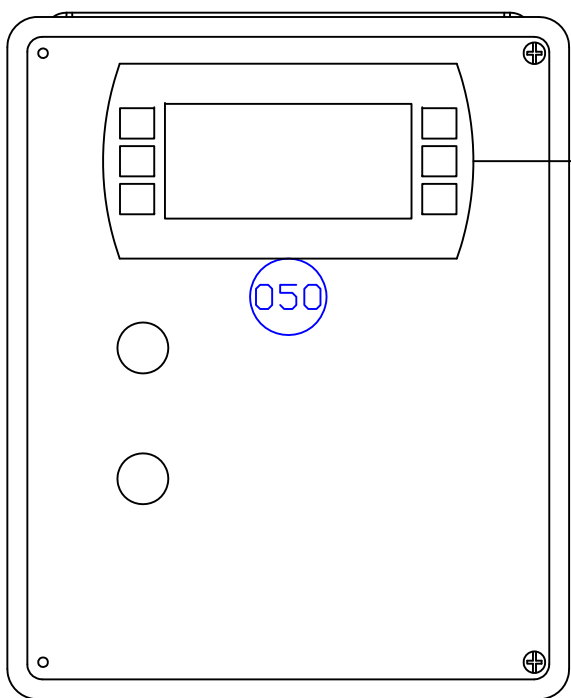


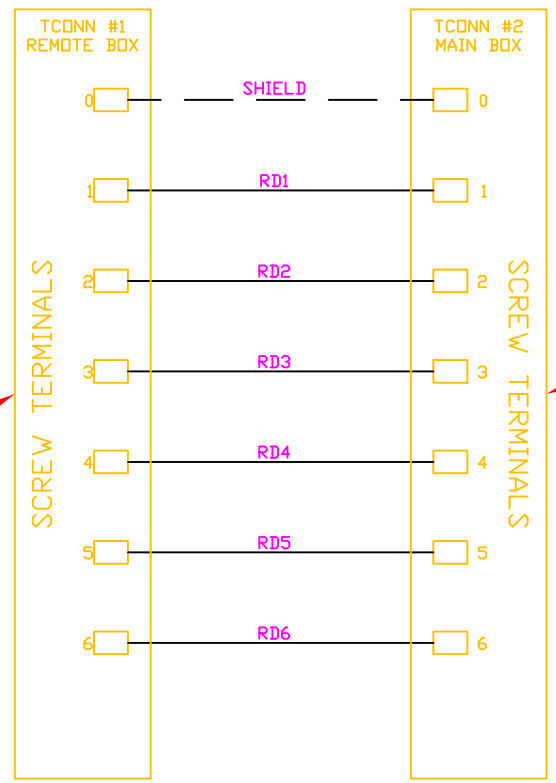
NO.	ID/DESCRIPTION	K. K. PART#	QTY	TYPE
001	LONG DISTANCE DISPLAY KIT	0612407		ASSEM
010	TCONN6 J000 CAREL T-DERIVATOR FOR EXPANDING P-LAN TO REMOTELY MD UNT DISPLAY. CAREL	4807724	2.0	PC
020	S90CONN001 3M TELEPHONE CONNECTOR 3 METERS 9' 10" CAREL	4807702	2.0	PC
030	VJ1210HW FIBERGLASS PRE-PUNCHED WITH 2 LIGHT/SWITCH HOLES AND CARE L HOLE. WORKS WELL FOR REMOTE E-BOX VYNCKIER QUOTE # 227172-00, 8/24 /09. EFFECT THIS DATE BOXES TO BE U L LABELED.	3451016	1.0	PC
040	EBOX PANEL FOR VJ 12 X 10 FULL NOT NOTCHED	0425052	1.0	ASSEM
* 010	SHEET 12 GA GALV. 48 X ***** CHEMTREAT G-90 DRY	9531200	10.0	PC
050	PGD1000FZ0 FLUSH DISPLAY + BUZZER	4807814	1.0	PC
060	WIRE 18 GA. 6-CONDUCTOR SHIELDED	3807051	400.0	PC



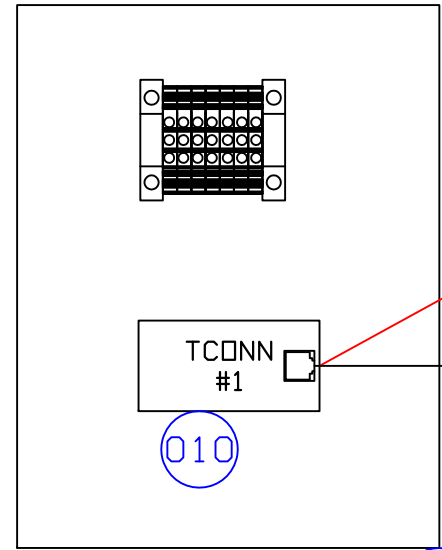
REMOTE BOX (030)

(020)

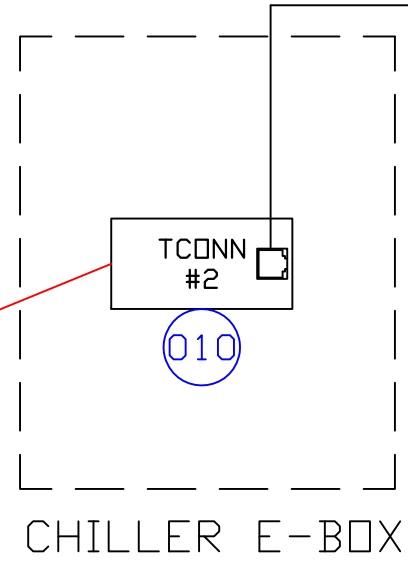
REMOTE WIRING LOGIC (060)
250' 6-CONDUCTOR CABLE



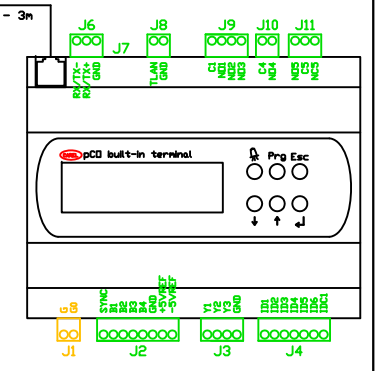
*NOTE: CONNECT TELEPHONE CONNECTOR FROM PC0xs TO TCONN #1 AND PGD TO TCONN #2. SET JUMPERS #14 AND 15 BETWEEN 1 & 2.



REMOTE PANEL (040)



(020)



* PARTS NOT SHOWN ON DRAWING DETAIL

ALL DIMENSIONS ARE IN INCHES
THIS PRINT CONTAINS INFORMATION PROPRIETARY TO KOOLANT KOOLERS. MAY NOT BE DUPLICATED, REPRODUCED, OR SHARED IN ANY WAY WITHOUT THE EXPRESSED WRITTEN CONSENT OF KOOLANT KOOLERS.
CONFIDENTIAL AND PROPRIETARY

DATE	DESCRIPTION OF REVISION	APPROVED BY

Koolant Coolers

Dimplex Thermal Solutions

SCHREIBER CHILLERS

DESIGN BY: MAR DRAWN BY: MAR KALAMAZOO, MI.
DATE: 01/03/12 PAGE 1 OF 1 PH (800) 968-5665
WWW.DIMPLEXTHERMAL.COM

Q5 & Q7 LDR *Display*

ELECTRICAL DRAWING NO. 0612407