

Assembly Instructions

Seismic Kit 1, 454107.90.06

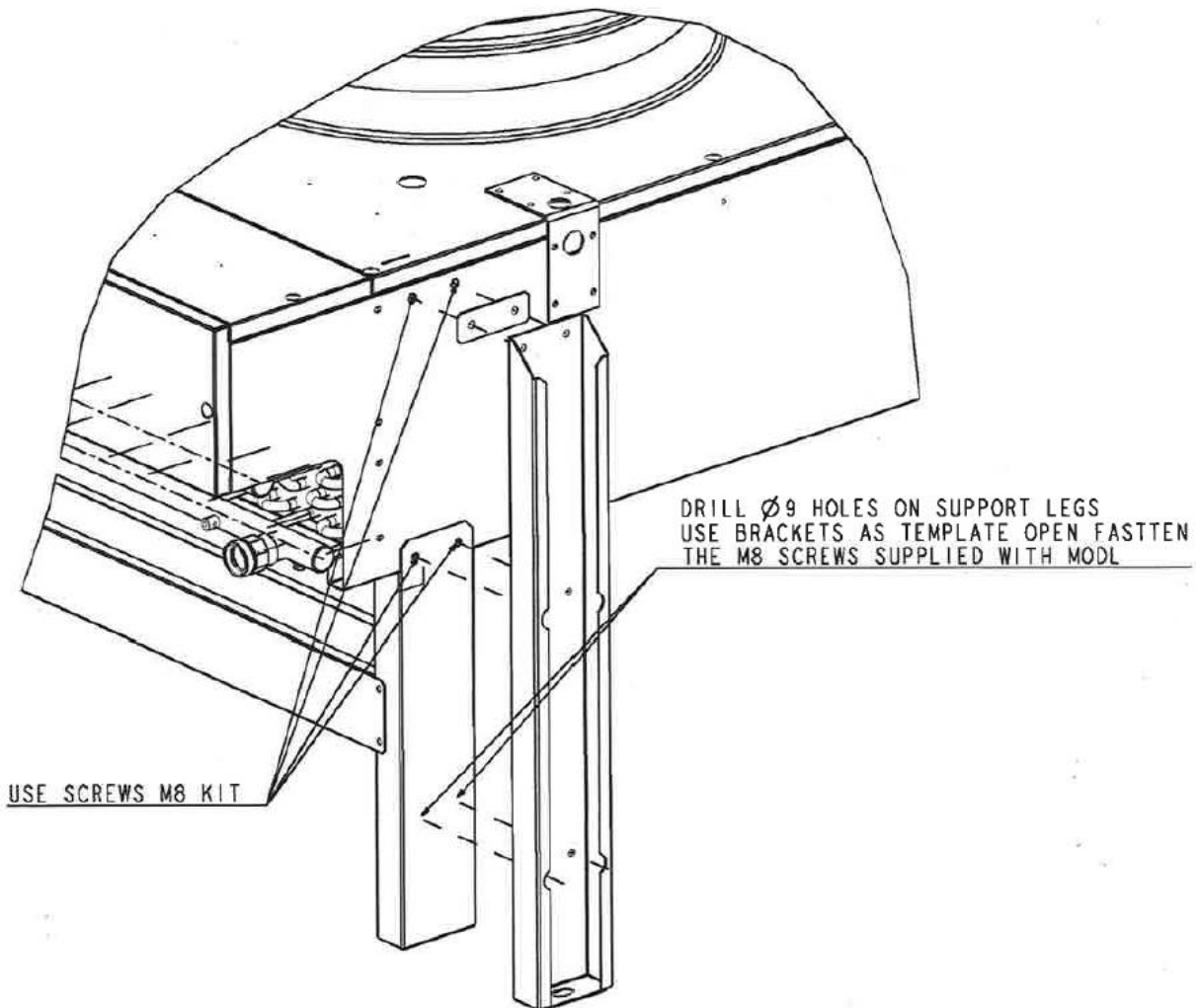
for Siemens Water/Air Split Cooling System

Indoor Unit	Outdoor unit
Water/air split cooling system 12 kW (10589726)	with Outdoor Unit 2 (10743384)
Water/air split cooling system 17 kW (10430821)	

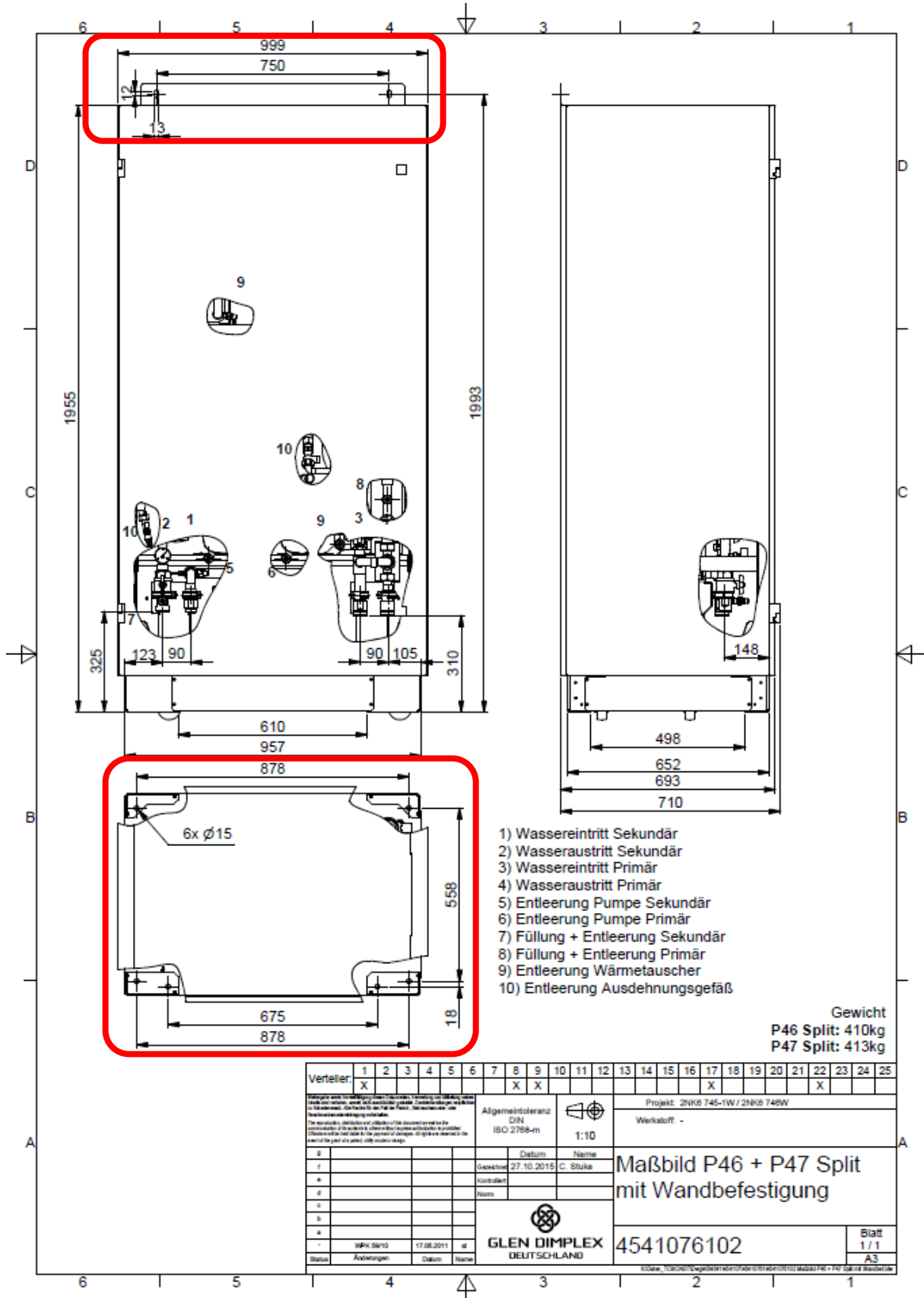
Contains

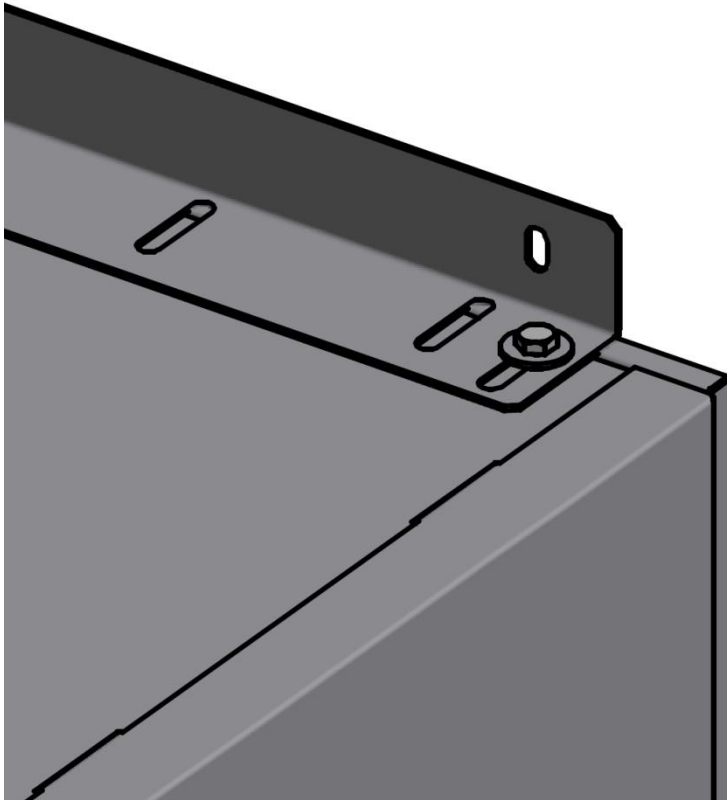
- seismic kit for Outdoor Unit 2;
- wall bracket for Indoor Units (10589726/10430821)

1 Installation of Seismic kit for Outdoor Unit 2



2 Fixation of Indoor Unit






Mount the wall bracket on the cabinet top

Use the M12x35 screws and washers 13x37.

The wall bracket can now be attached towards a solid wall structure

The fixation to the wall should withstand 2 x 6  N.

The fixation to the floor should withstand 4 x 4 kN.