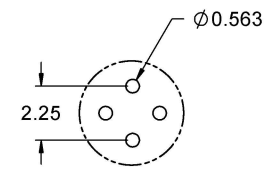
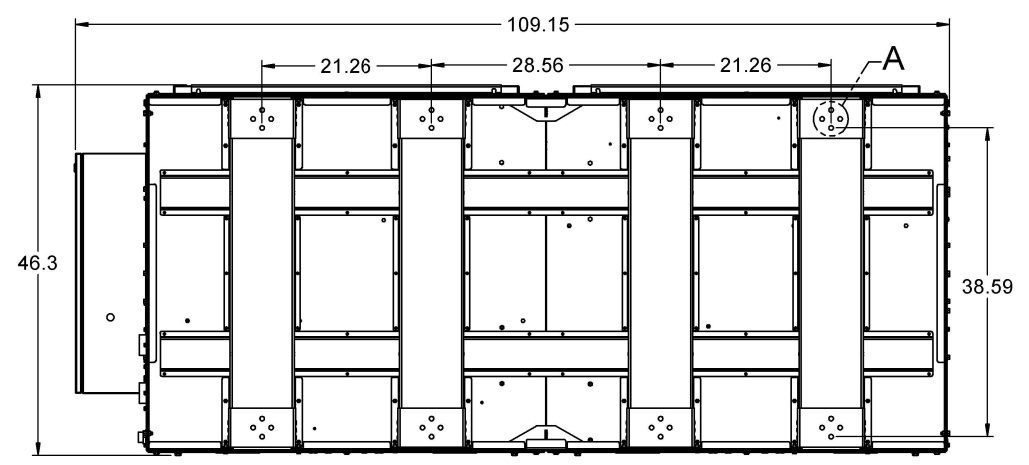
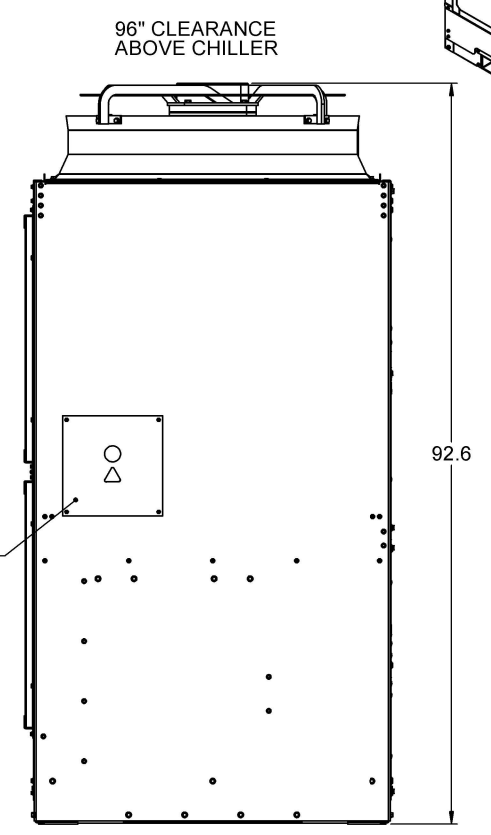
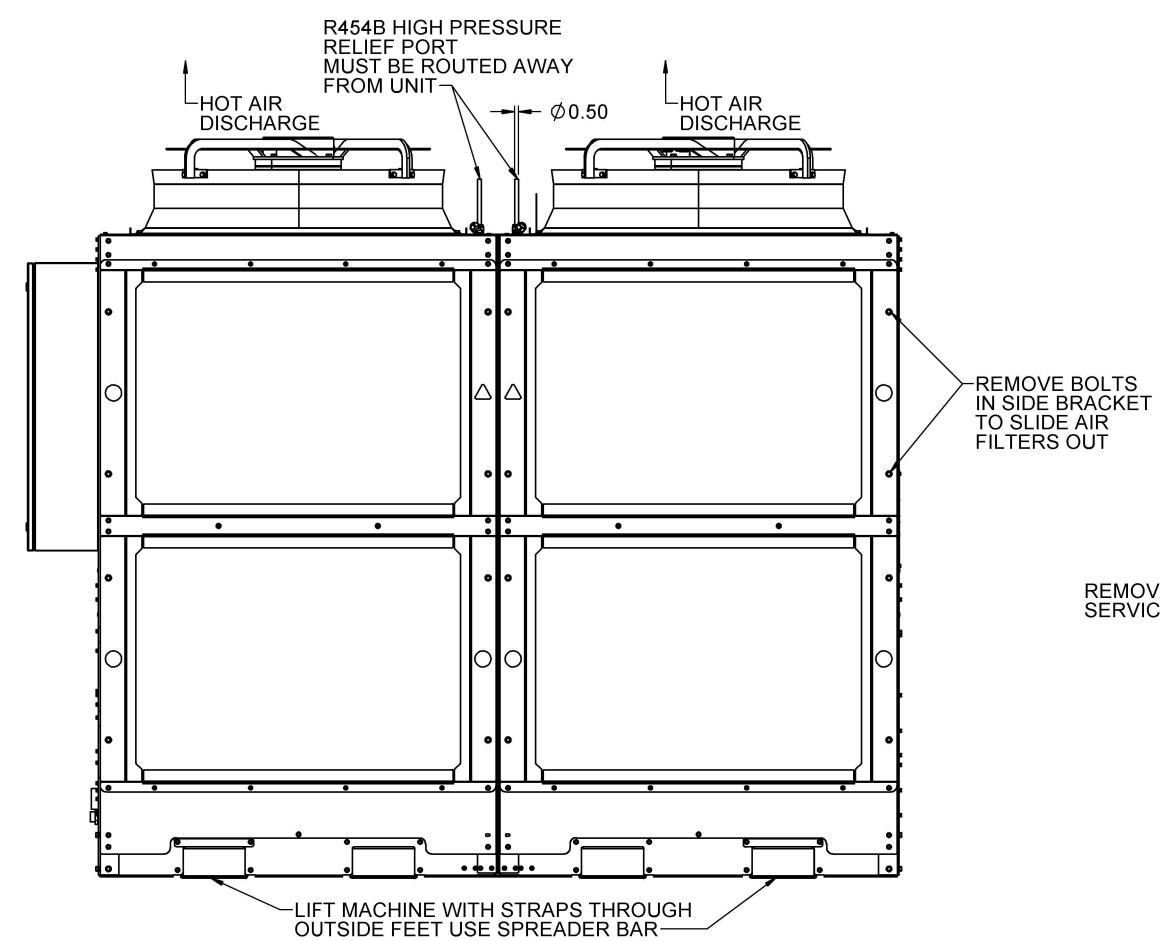
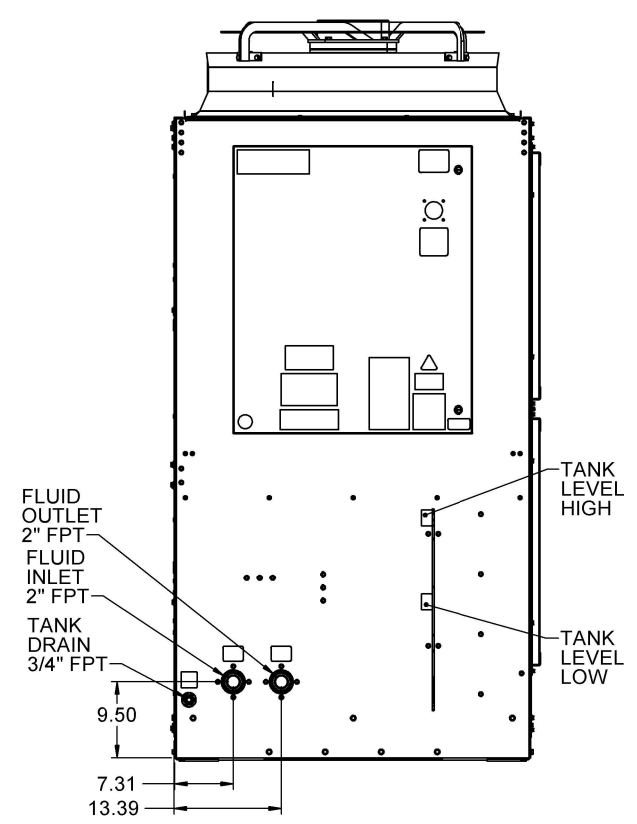
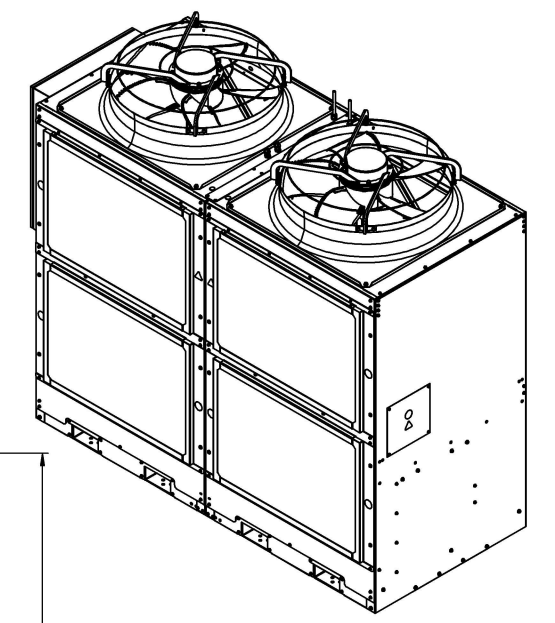
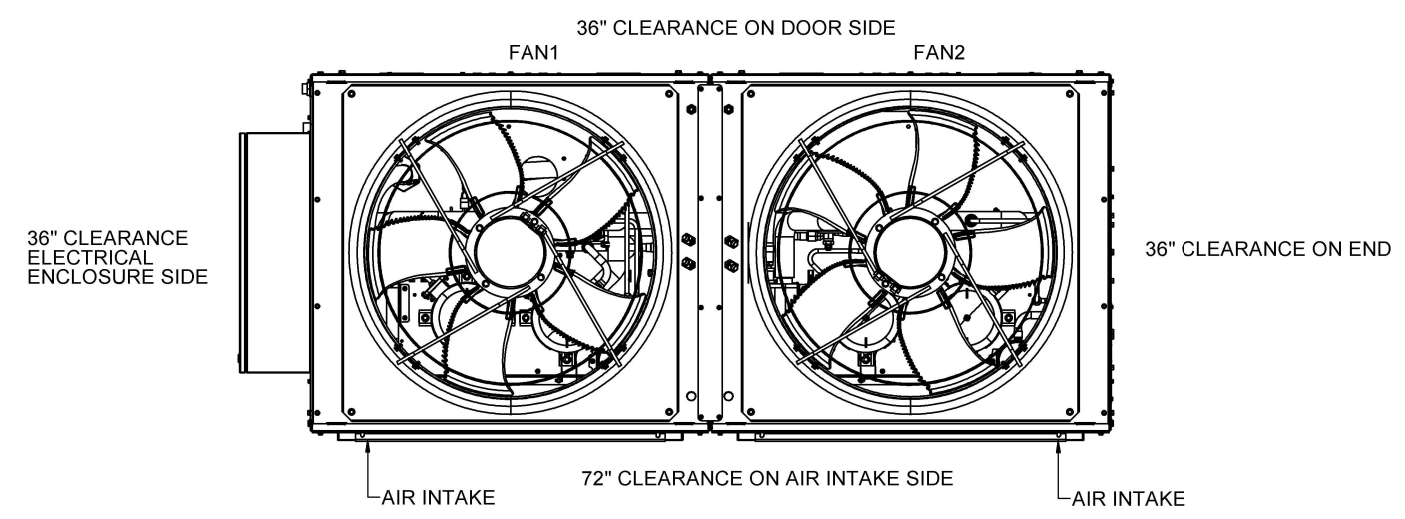


REVISIONS						
LOC	REV.	DESCRIPTION	ECN	DATE	BY	ENG
	A	ENGINEERING RELEASE	NA	7/10/25	BP	BP
2-C6, 2-F11, 2-F7	B	ADD ELECTRICAL TAB TO SHOW SEQUENCE OF PUMPS, COMPRESSORS AND FANS	13066	8/18/2025	DWG	DWG
	C	DRAIN NOTE TO FPT	13118	9/5/2025	BP	BP
	D	REPLACED EXISTING LABELS WITH LABEL KIT; ADDED LABELING SHEET REPLACED EBOX	13176	10/9/2025	ODW	ODW



DETAIL A
SCALE 1 : 4

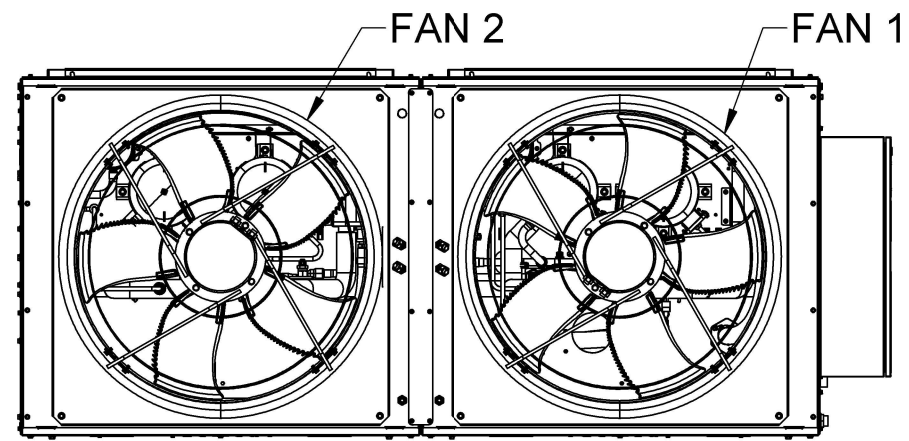
GEOMETRY NOT DIMENSIONED TO BE TAKEN FROM 3D MODEL.

UNLESS OTHERWISE SPECIFIED:
ALL DIM TO THEORETICAL SHARP CORNERS
REMOVE ALL BURRS AND SHARP CORNERS

MATERIAL:
STOCK SIZE: AS REQ'D
FINISH: PER ROUTING

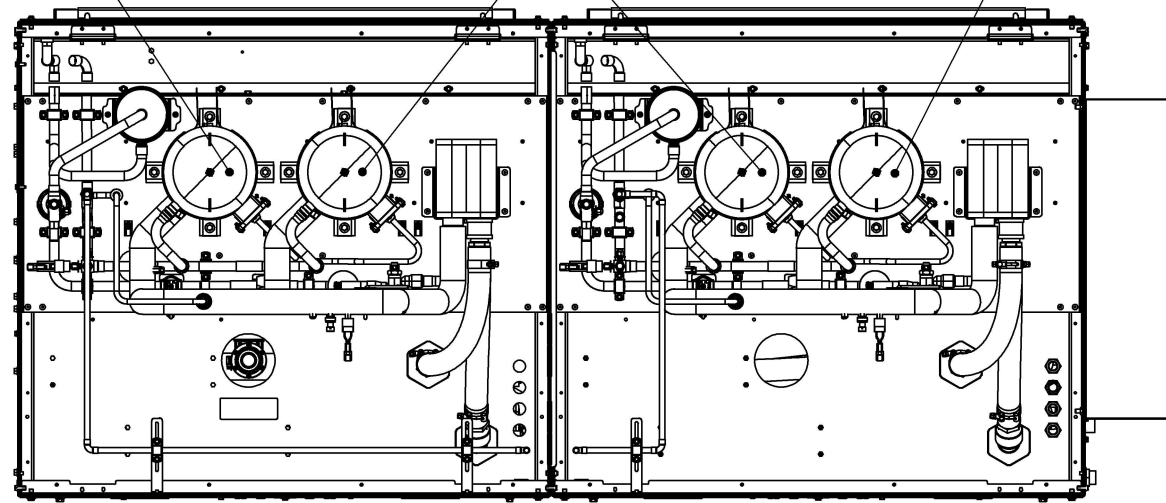
				DIMPLEX THERMAL SOLUTIONS KALAMAZOO, MI PH (800) 968-5965 WWW.DIMPLEXTHERMAL.COM	
TOLERANCES UNLESS OTHERWISE SPECIFIED FRACTIONS DECIMALS UNDER $\pm 1/16"$ ± 0.1 OVER $\pm 1/8"$ ± 0.03 ± 0.005 ANGULAR $\pm 1'$ SURFACE FINISH \checkmark ALL DIMENSIONS SHOWN IN INCHES		SHEET SIZE: D SCALE: 1:24 SHEET: 1 OF 3 WEIGHT (LBS): 3233.93	DRAWN BY: BP DATE DRAWN: 10/21/2025 ENGINEER: BP	THIS PRINT CONTAINS INFORMATION PROPRIETARY TO DIMPLEX THERMAL SOLUTIONS AND MAY NOT BE DUPLICATED, REPRODUCED, OR SHARED IN ANY MANNER WITHOUT THE EXPRESSED WRITTEN CONSENT OF DIMPLEX THERMAL SOLUTIONS CONFIDENTIAL AND PROPRIETARY.	
DIMENSION & TOLERANCING IN ACCORDANCE WITH ASME Y14.5M-2009		THIRD ANGLE PROJECTION		DO NOT SCALE	
TITLE: GO2-2-10000-PW-OSP-40-122-454B-IN		DRAWING NO.: 803575-R01			

12 11 10 9 8 7 6 5 4 3 2 1

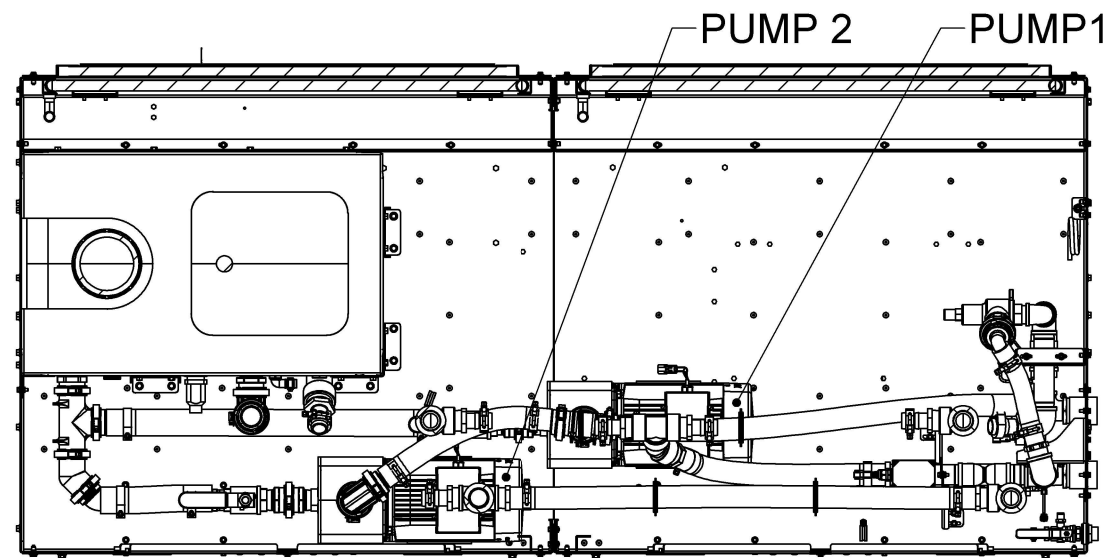
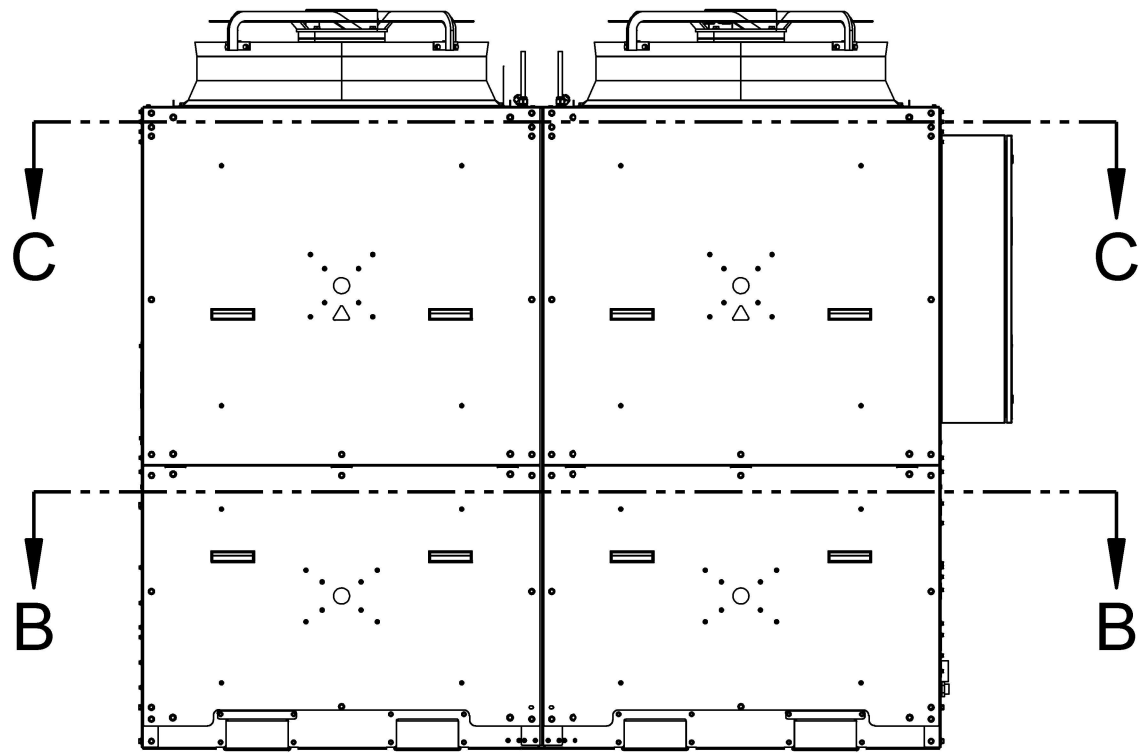


FAN LAYOUT

COMPRESSOR 2B COMPRESSOR 2A COMPRESSOR 1B COMPRESSOR 1A



B



B

(X.XX) - INSPECTION DIMENSION

GEOMETRY NOT DIMENSIONED TO BE TAKEN FROM 3D MODEL.

UNLESS OTHERWISE SPECIFIED:
ALL DIM TO THEORETICAL SHARP CORNERS
REMOVE ALL BURRS AND SHARP CORNERS

MATERIAL:
STOCK SIZE: AS REQ'D
FINISH: PER ROUTING

ELECTRICAL LAYOUT

	DIMPLEX THERMAL SOLUTIONS KALAMAZOO, MI. PH (800) 968-5665 WWW.DIMPLEXTHERMAL.COM		
	TOLERANCES UNLESS OTHERWISE SPECIFIED FRACTIONS DECIMALS UNDER 4' ± 1/16" X.X ± 0.1 OVER 4' ± 1/8" X.XX ± 0.03 X.XXX ± 0.005 ANGULAR ± 1° 63 SURFACE FINISH ✓ ALL DIMENSIONS SHOWN IN INCHES	SHEET SIZE B SCALE 1:24 SHEET 2 OF 3 WEIGHT (LBS) 3233.93	DRAWN BY BP DATE DRAWN 10/21/2025 ENGINEER BP DIMENSION & TOLERANCING IN ACCORDANCE WITH ASME Y14.5M-2009
TITLE GO2-2-10000-PW-OSP-40-122-454B-IN		DRAWING NO. 803575-R01 DO NOT SCALE	

12 11 10 9 8 7 6 5 4 3 2 1