



Position	Count	Description	Unit price
	1	<p><b>CRK 4-20/2 A-W-A AUUV</b></p> <div data-bbox="354 373 729 793" data-label="Image"> </div> <p>Product photo could vary from the actual product</p> <p>Product No.: 41900062                      Multistage, immersible, self-priming, centrifugal pump for vertical installation in tanks etc.</p> <p><b>The pump has the following characteristics:</b></p> <ul style="list-style-type: none"> <li>- Installation length according to DIN 5440.</li> <li>- Impellers, intermediate chambers and spline shaft are made of Stainless steel.</li> <li>- Mechanical shaft seal according to DIN 24960.</li> <li>- Power transmission via cast iron split coupling.</li> </ul> <p><b>Liquid:</b>                      Liquid temperature range: 14 .. 194 °F</p> <p><b>Technical:</b>                      Speed for pump data: 3500 rpm                      Rated flow: 30.82 US gpm                      Rated head: 53.5 ft                      Shaft seal: AUUV                      Curve tolerance: ISO 9906 Annex A</p> <p><b>Materials:</b>                      Pump head: Cast iron                      EN-JL1030 DIN W.-Nr. A48-30 B ASTM                      Impeller: Stainless steel                      1.4301 DIN W.-Nr. 304 AISI</p> <p><b>Installation:</b>                      Pipe connection: Rp 1 1/4                      Flange size for motor: F100</p> <p><b>Electrical data:</b>                      Power (P2) required by pump: 1 HP</p>	On request

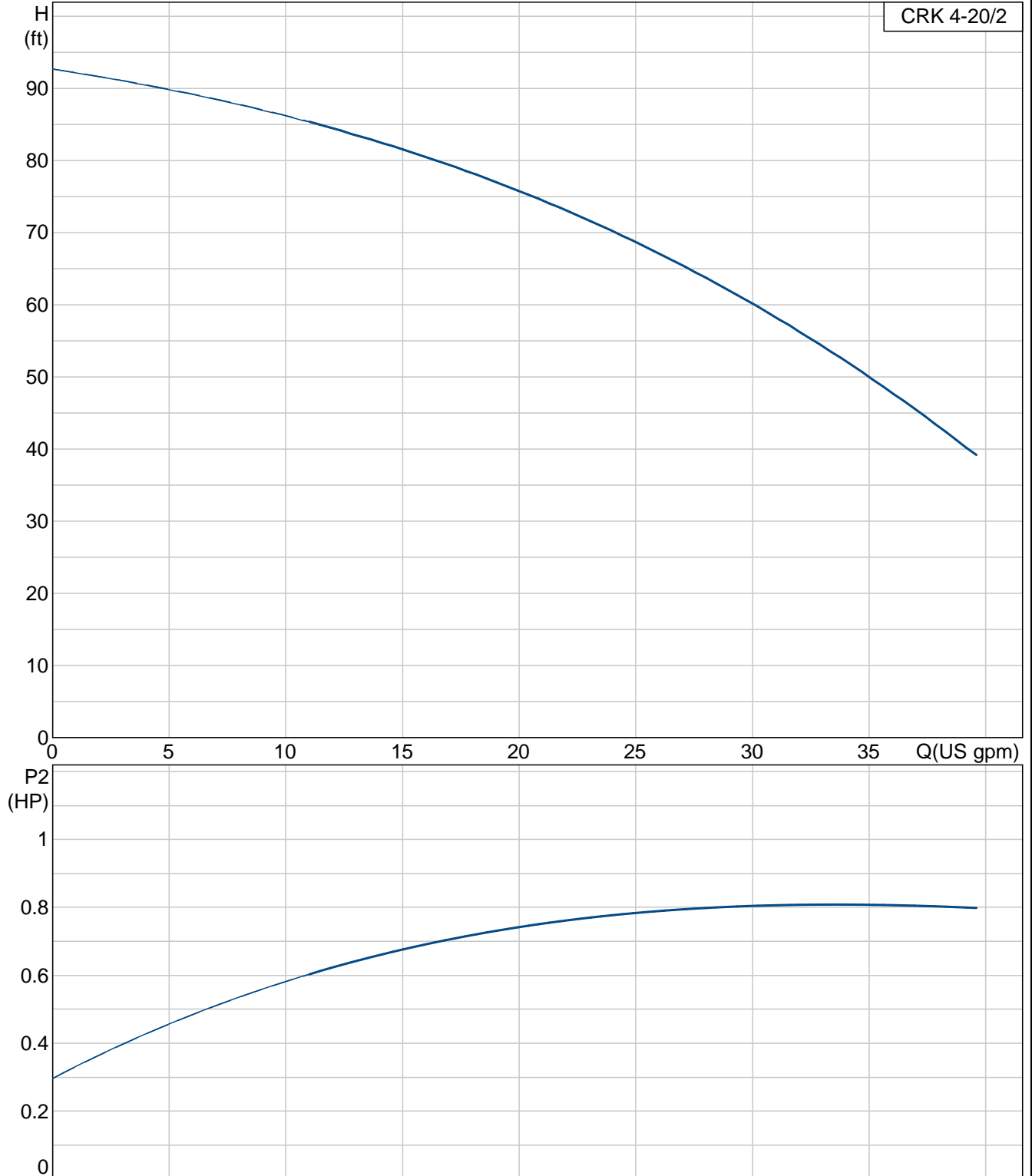


Company name: -  
Created by: -  
Phone: -  
Fax: -  
Date: -

<i>Position</i>	<i>Count</i>	<i>Description</i>	<i>Unit price</i>



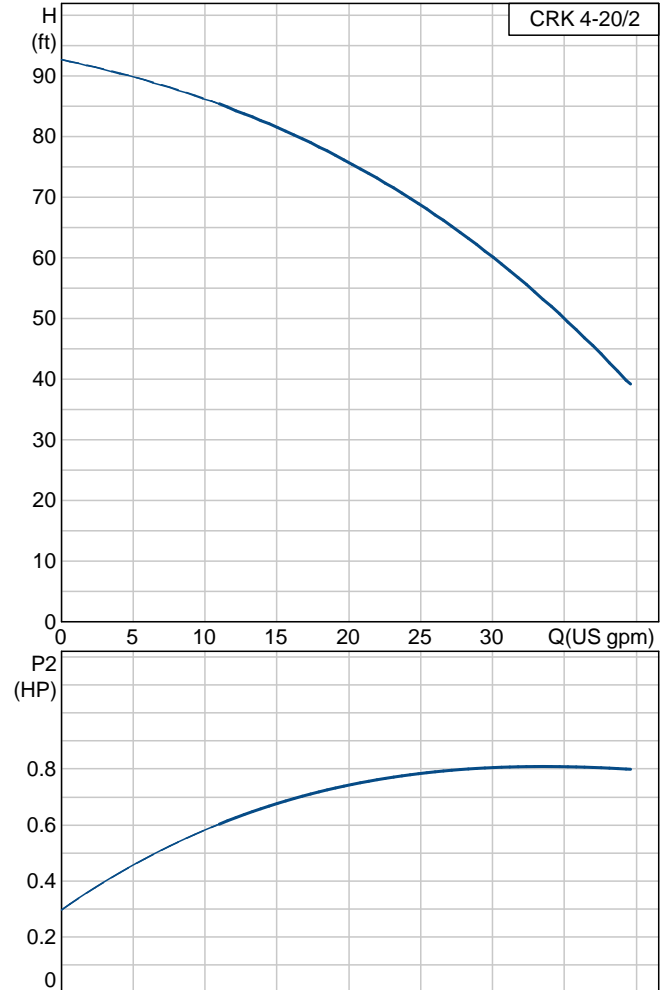
## 41900062 CRK 4-20/2



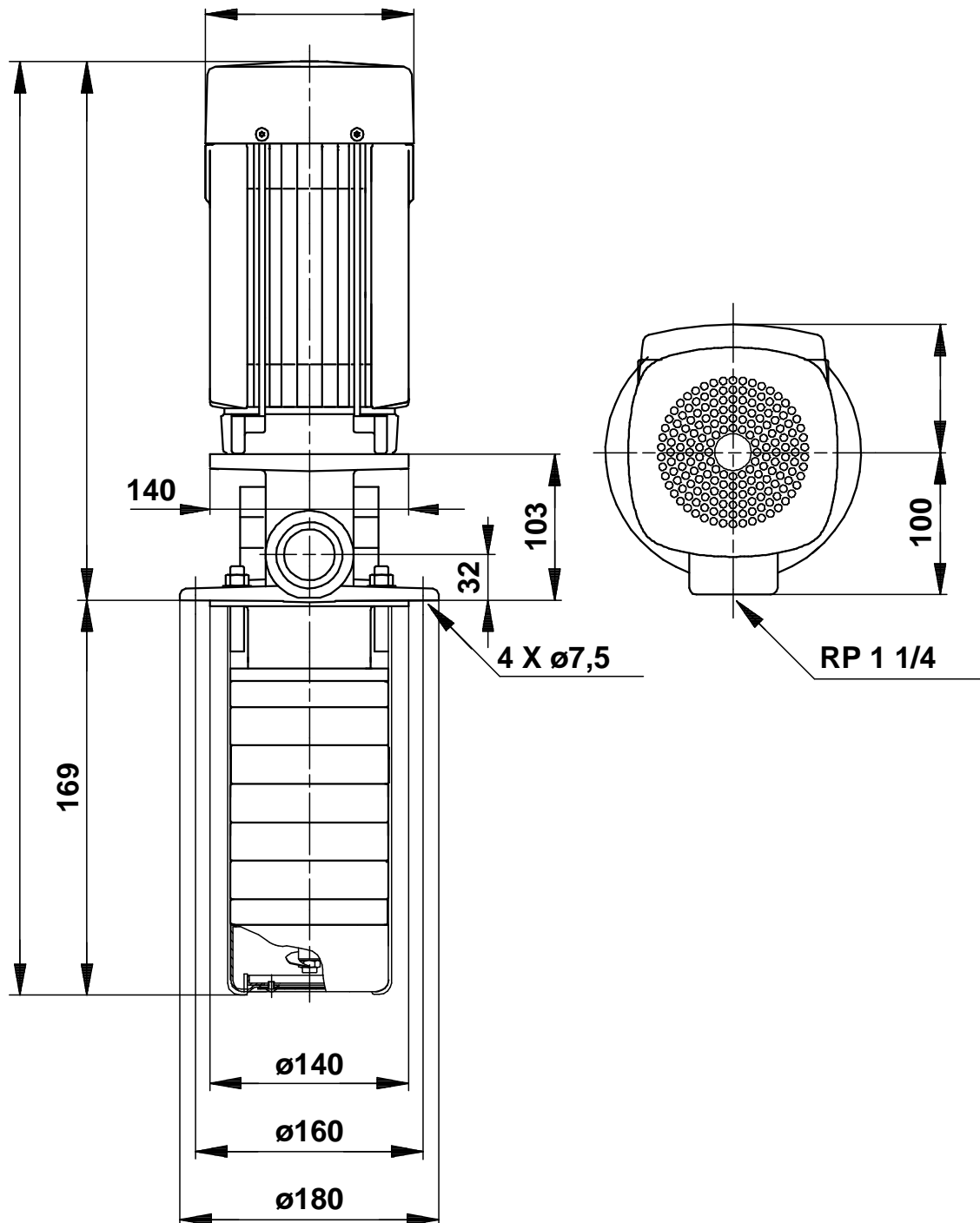


Company name: -  
 Created by: -  
 Phone: -  
 Fax: -  
 Date: -

Description	Value
Product name:	CRK 4-20/2 A-W-A AUUV
Product No.:	41900062
EAN:	5700390750510
<b>Technical:</b>	
Speed for pump data:	3500 rpm
Rated flow:	30.82 US gpm
Rated head:	53.5 ft
Impellers:	2
Shaft seal:	AUUV
Curve tolerance:	ISO 9906 Annex A
Stages:	2
Pump version:	A
Model:	B
<b>Materials:</b>	
Pump head:	Cast iron EN-JL1030 DIN W.-Nr. A48-30 B ASTM
Impeller:	Stainless steel 1.4301 DIN W.-Nr. 304 AISI
Material code:	A
<b>Installation:</b>	
Connect code:	W
Pipe connection:	Rp 1 1/4
Flange size for motor:	F100
<b>Liquid:</b>	
Liquid temperature range:	14 .. 194 °F
<b>Electrical data:</b>	
Power (P2) required by pump:	1 HP



41900062 CRK 4-20/2



All units are [mm] unless otherwise presented.